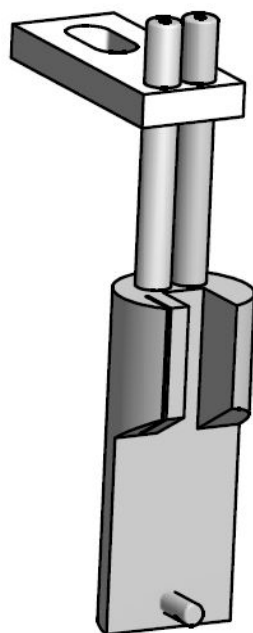


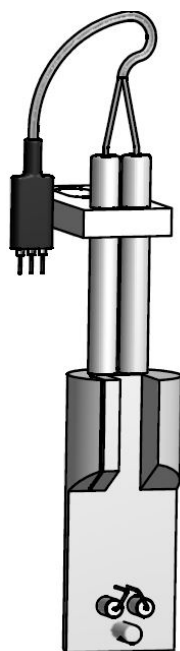
Tissue holder for isolated organ bath

(for equipmet types: ISO-04, ISO-05, ISO-06, ISO-08, ISO-09, ISO-10)

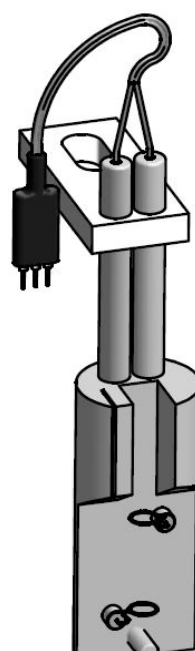
ISO-08-4X series



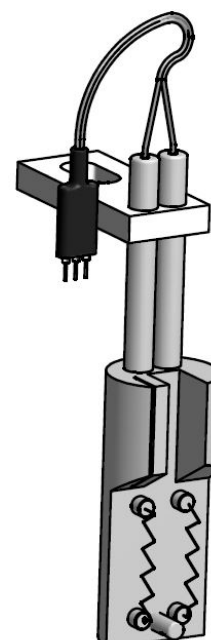
Holder
without stimulation



Holder with
point stimulation



Holder with
field stimulation
(two ring electrodes)



Holder with
zig-zag stimulation

Product codes

Tissue holders (including bubbler with metal pipe):

Stimulation	without	point	field	zig-zag
Bath volume				
5ml	ISO-08-4A	ISO-08-4D	ISO-08-4G	ISO-08-4M
10ml	discontinued	discontinued	discontinued	discontinued
20ml	ISO-08-4C	ISO-08-4F	ISO-08-4K	ISO-08-4P

Accessories:

Bubbler with metal pipe for **ISO-08-4X** holders: **ISO-08-14** (10pcs/pack)

Vessel ring holders: **ISO-08-51/-52/-53**. For choosing from the different types, please, study the **ISO-08-K06** data sheet.

Cable for stimulation:

CAB-051 Cable, 3p.Spec. connector, other end: Ø4mm banana male, length: 2m

CAB-052 Cable, 3p.Spec. connector, other end: open end, length: 2m

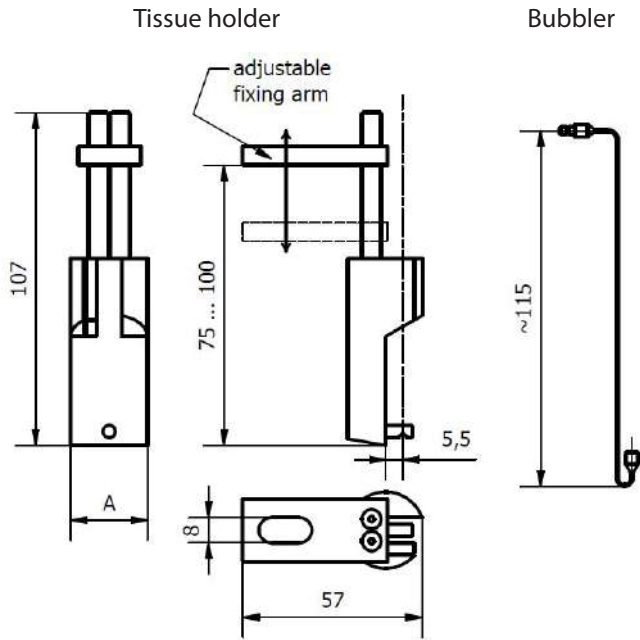
CAB-053 Cable for high current stimulator, 3p.Spec. connector, other end: Ø4mm banana male, length: 2m

CAB-054 Cable for high current stimulator, 3p.Spec. connector, other end: open end, length: 2m

Tissue holder for isolated organ bath

(for equipmet types: ISO-04, ISO-05, ISO-06, ISO-08, ISO-09, ISO-10)
ISO-08-4X series

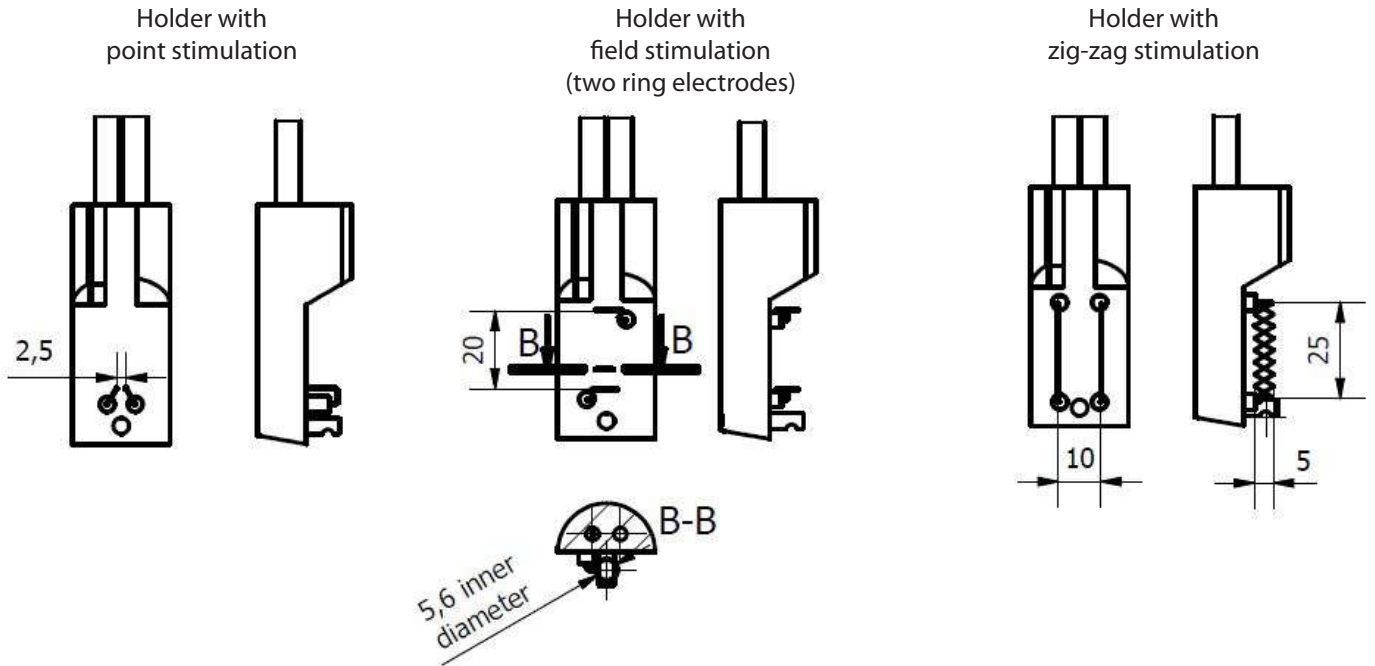
Technical specification



Material of body: Teflon (PTFE).
Material of electrode: Platina
Body diameter ("A")
for 5ml bath: 13,8 mm
for 10ml bath: 17,8 mm
for 20ml bath: 24,8 mm

Length of the built-in cable: 100mm
Connector: 3p. Spec.

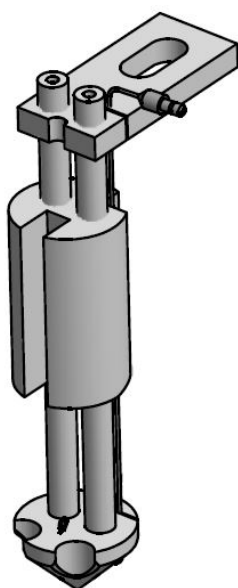
Different stimulation electrodes



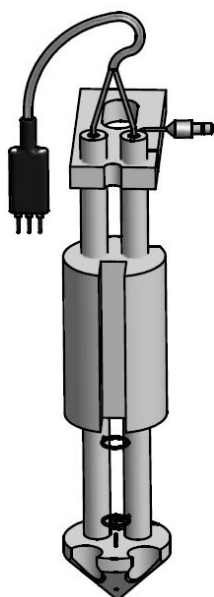
Tissue holder for isolated organ bath

(for equipment types: ISO-04, ISO-05, ISO-06, ISO-08, ISO-09, ISO-10)

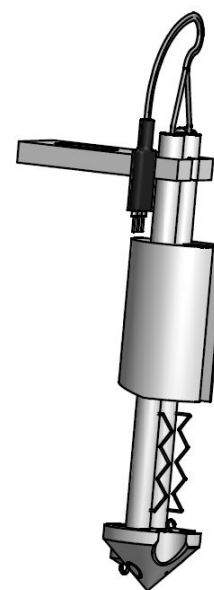
ISO-08-5X series



Holder with point stimulation



Holder with field stimulation (two ring electrodes)



Holder with zig-zag stimulation

Product codes

Tissue holders (including bubbler with metal pipe):

Stimulation	without	point	field	zig-zag
Bath volume				
5ml	ISO-08-5A	ISO-08-5D	ISO-08-5G	ISO-08-5M
10ml	ISO-08-5B	ISO-08-5F	ISO-08-5H	ISO-08-5N
20ml	ISO-08-5C	ISO-08-5F	ISO-08-5K	ISO-08-5P

Accessories:

Bubbler with metal pipe for ISO-08-5A, ISO-08-5D, ISO-08-5G and ISO-08-5M holders:

ISO-08-14 (10pcs/pack).

Bubbler with metal pipe for all the other types: **ISO-08-55** (10pcs/pack).

Vessel ring holders: **ISO-08-52/-53/-54**. For choosing from the different types, please, study the ISO-08-K06 data sheet.

Cable for stimulation:

CAB-051 Cable, 3p.Spec. connector, other end: Ø4mm banana male, length: 2m

CAB-052 Cable, 3p.Spec. connector, other end: open end, length: 2m

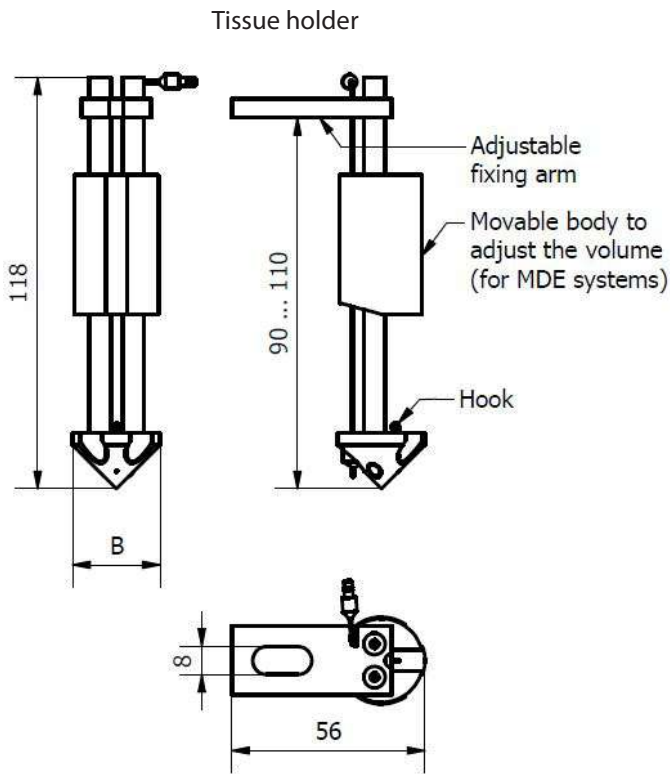
CAB-053 Cable for high current stimulator, 3p.Spec. connector, other end: Ø4mm banana male, length: 2m

CAB-054 Cable for high current stimulator, 3p.Spec. connector, other end: open end, length: 2m

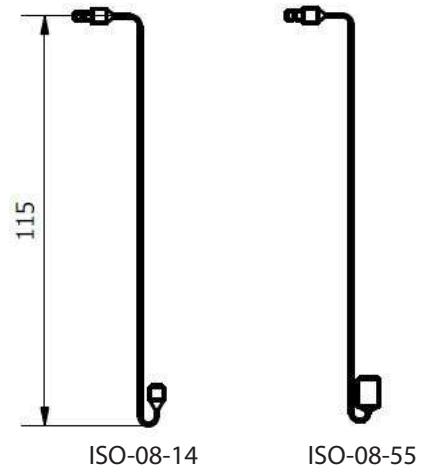
Tissue holder for isolated organ bath

(for equipment types: ISO-04, ISO-05, ISO-06, ISO-08, ISO-09, ISO-10)
ISO-08-5X series

Technical specification



Bubbler



Material of body: Teflon (PTFE).

Material of electrode: Platina

Body diameter ("B")

for 5ml bath: 13,8 mm

for 10ml bath: 17,8 mm

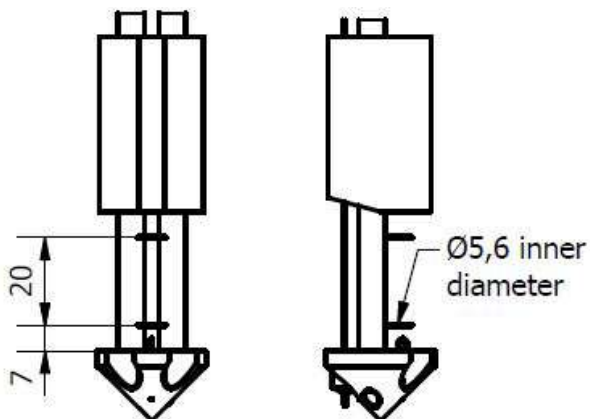
for 20ml bath: 24,8 mm

Length of the built-in cable: 100mm

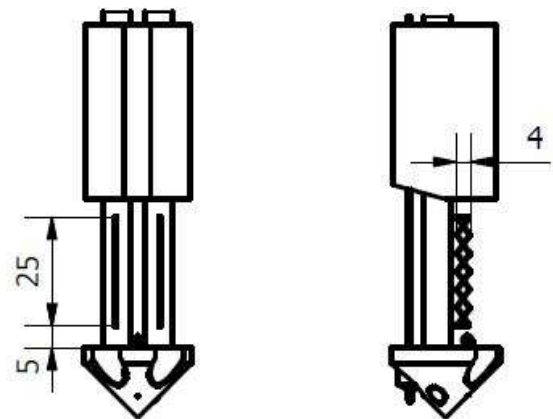
Connector: 3p. Spec.

Different stimulation electrodes

Holder with field stimulation (two ring electrodes)

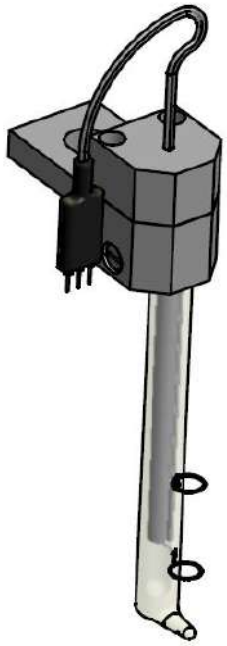


Holder with zig-zag stimulation

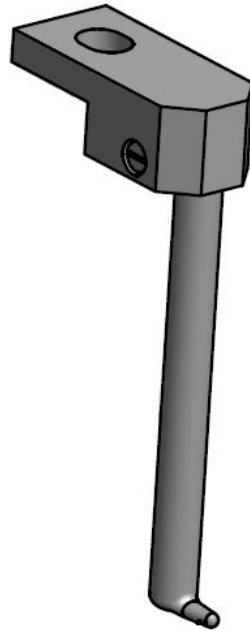


Tissue holder for isolated organ bath

(For equipment types: ISO-04, ISO-05, ISO-06, ISO-08, ISO-09, ISO-10)
ISO-08-5X series, glass holders



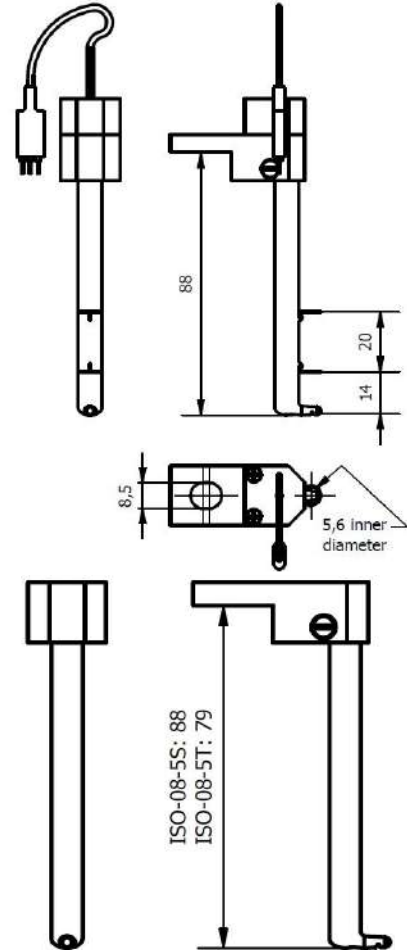
Holder with
field stimulation
(two ring electrodes)



Holder
without stimulation

Material of body: Glass
Material of electrode: Platina
Glass body diameter: 8 mm

Length of the built-in cable: 100mm
Connector: 3p. Spec.



Product codes

Glass tissue holders

with field stimulation: **ISO-08-5R**

without stimulation: **ISO-08-5S**

without stimulation, short: **ISO-08-5T**

Accessories:

Vessel ring holders: **ISO-08-51/-52/-53**. For choosing from the different types, please, study the **ISO-08-K06** data sheet.

Cable for stimulation:

CAB-051 Cable, 3p.Spec. connector, other end: Ø4mm banana male, length: 2m

CAB-052 Cable, 3p.Spec. connector, other end: open end, length: 2m

CAB-053 Cable for high current stimulator, 3p.Spec. connector, other end: Ø4mm banana male, length: 2m

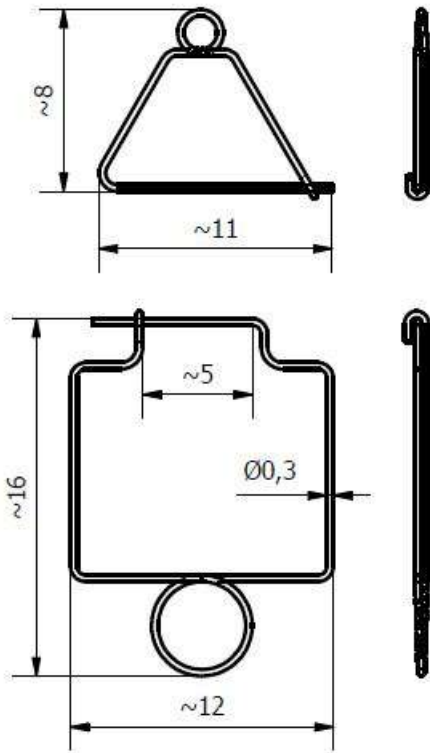
CAB-054 Cable for high current stimulator, 3p.Spec. connector, other end: open end, length: 2m

Vessel ring holder pairs for isolated organ bath

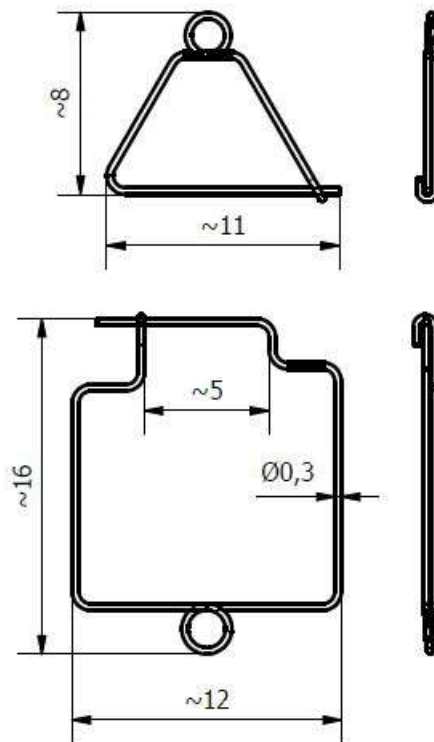
(for equipment types: ISO-04, ISO-05, ISO-06, ISO-08, ISO-09, ISO-10)

Product codes:

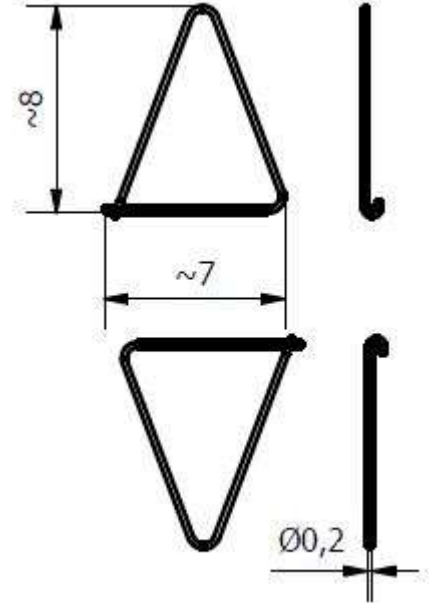
ISO-08-51



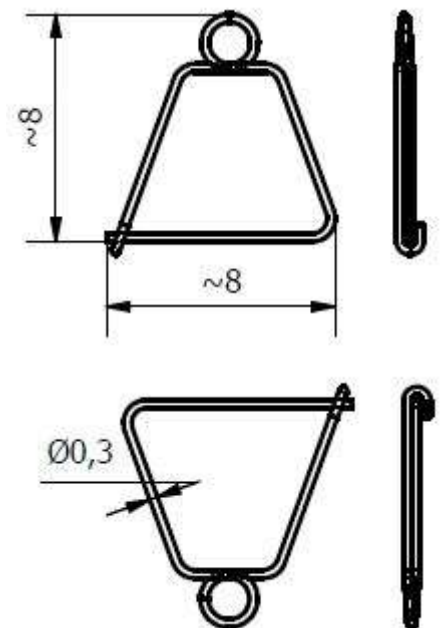
ISO-08-54



ISO-08-52



ISO-08-53



Important:

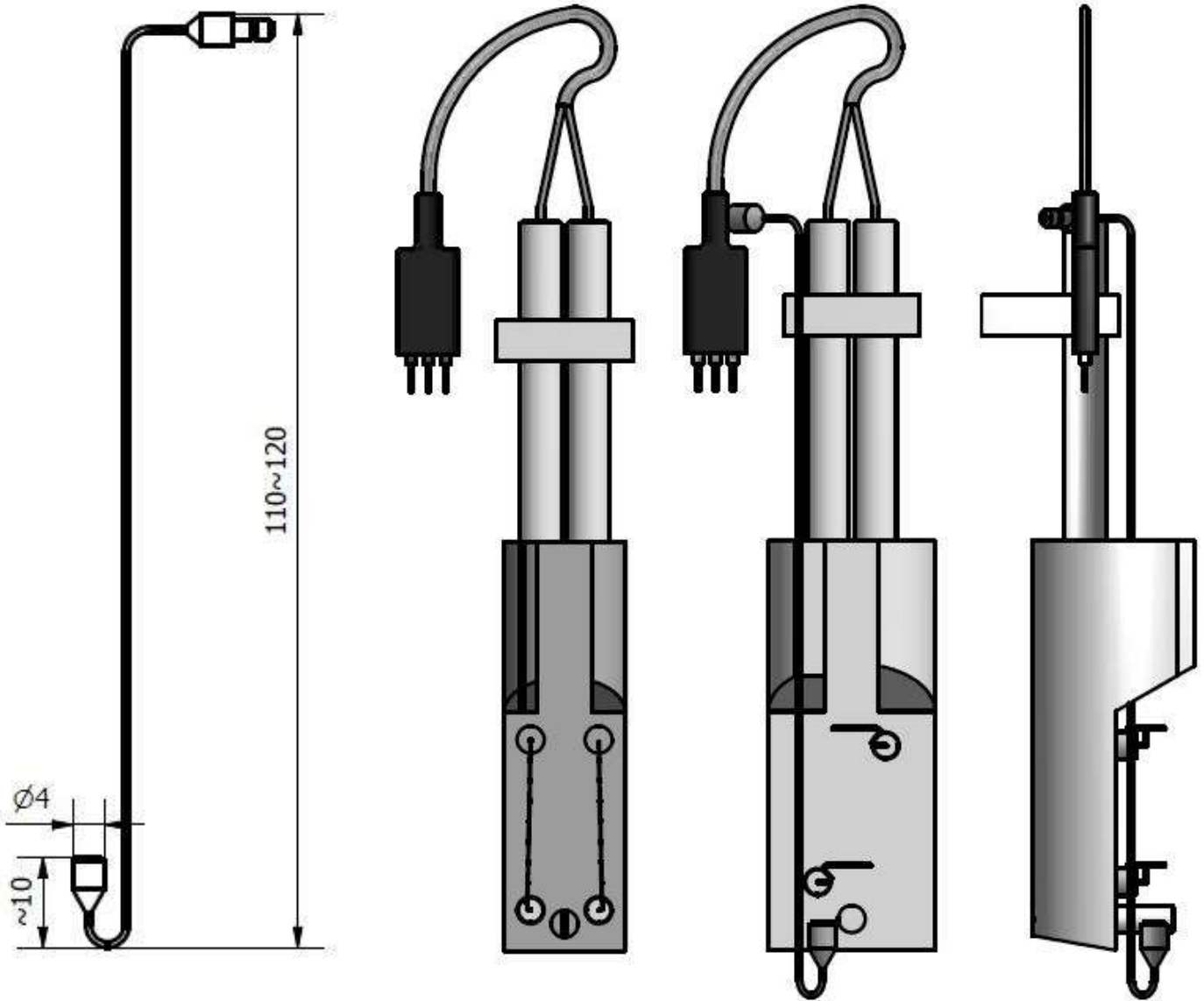
The **ISO-08-51** and **ISO-08-54** types are not applicable for tissue holders with zig-zag stimulation

The **ISO-08-51** type is designed for use with tissue holders type **ISO-08-4x** and **ISO-08-5R/-5S/-5T**

The **ISO-08-54** type is designed for use with tissue holders type **ISO-08-5x** (except **ISO-08-5R/-5S/-5T**)

Material of holders: stainless steel
Ordering unit: pack (includes 10 pairs)

Bubbler for tissue holders



ISO-08-14

10pcs/pack

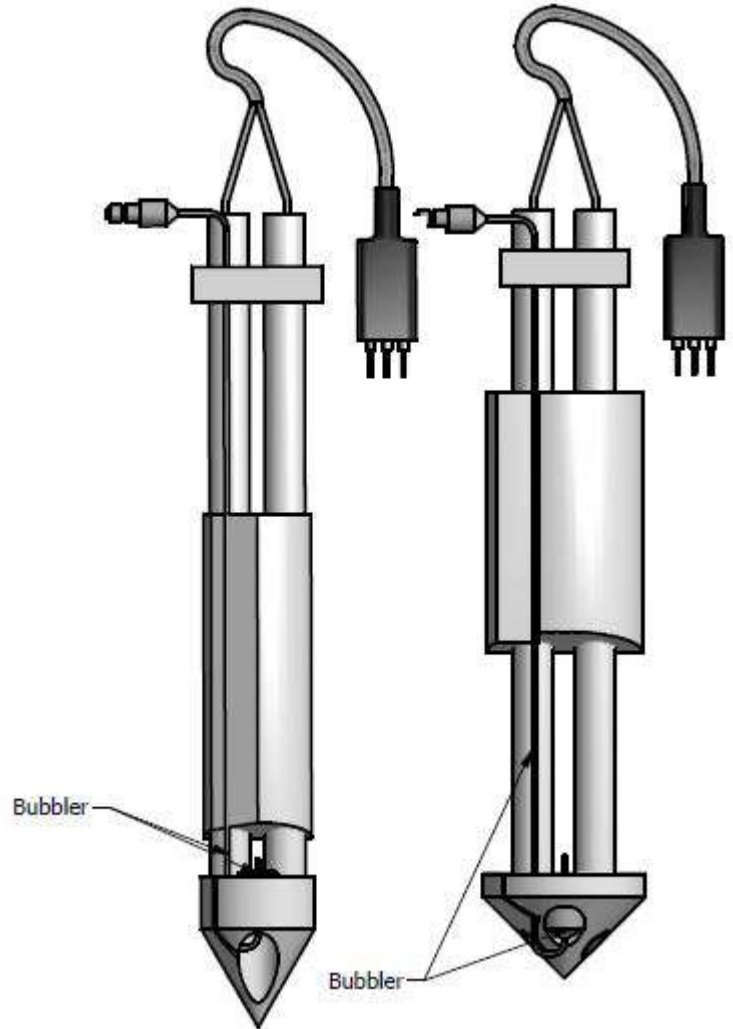
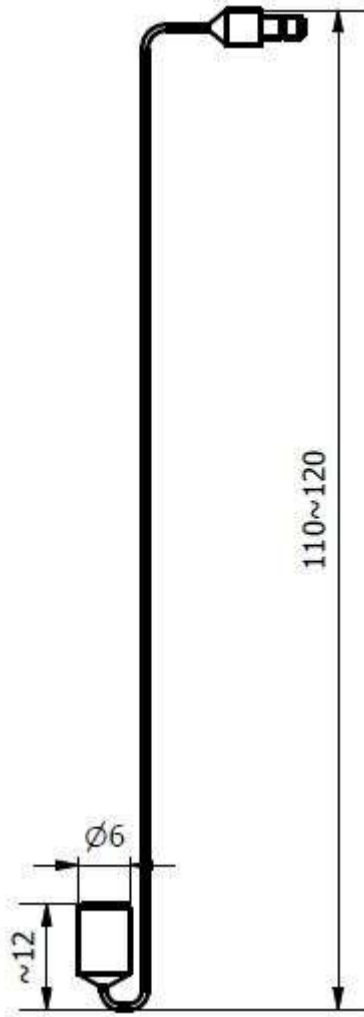
ISO-08-14 is the bubbler of tissue holders of the entire **ISO-08-4X** series and 5ml types of the **ISO-08-5X** series.

Material of pipe: Stainless steel

Material of vaporiser: glass

Other material: PMMA

Bubbler for tissue holders



ISO-08-55

10pcs/pack

ISO-08-55 is the bubbler of tissue holders of the **10ml** and **20ml** types of the **ISO-08-5X** series.

Material of pipe: Stainless steel

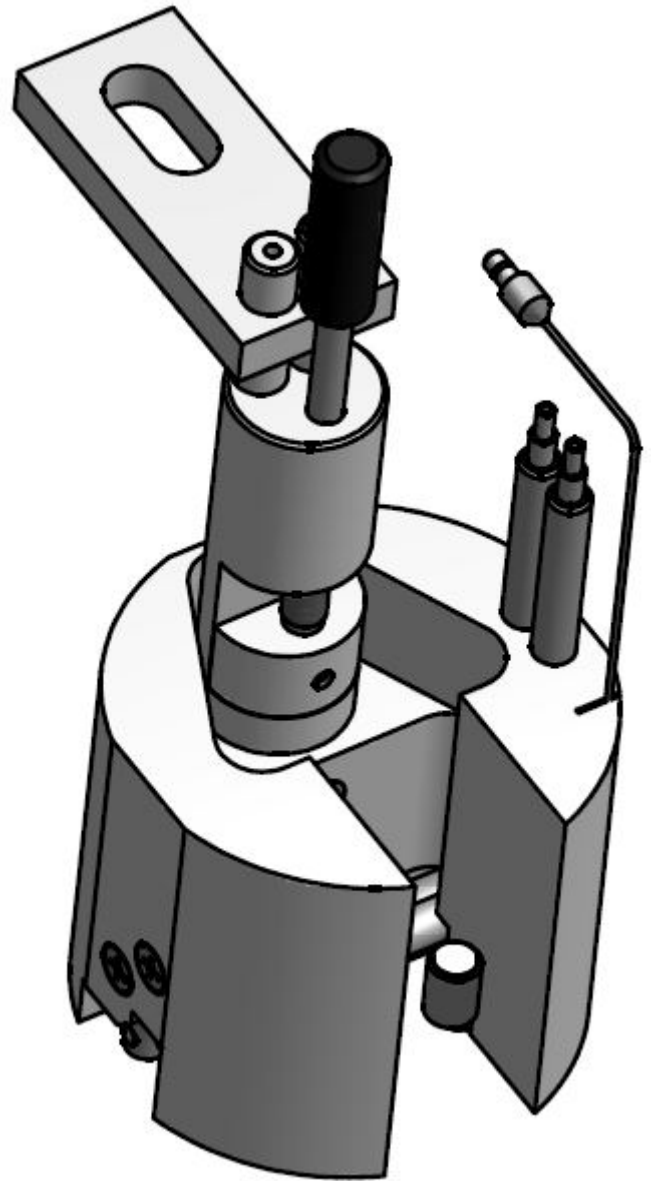
Material of vaporiser: glass

Other material: PMMA

Bubbler for tissue holders



ISO-07-10
10pcs/pack



ISO-07-09

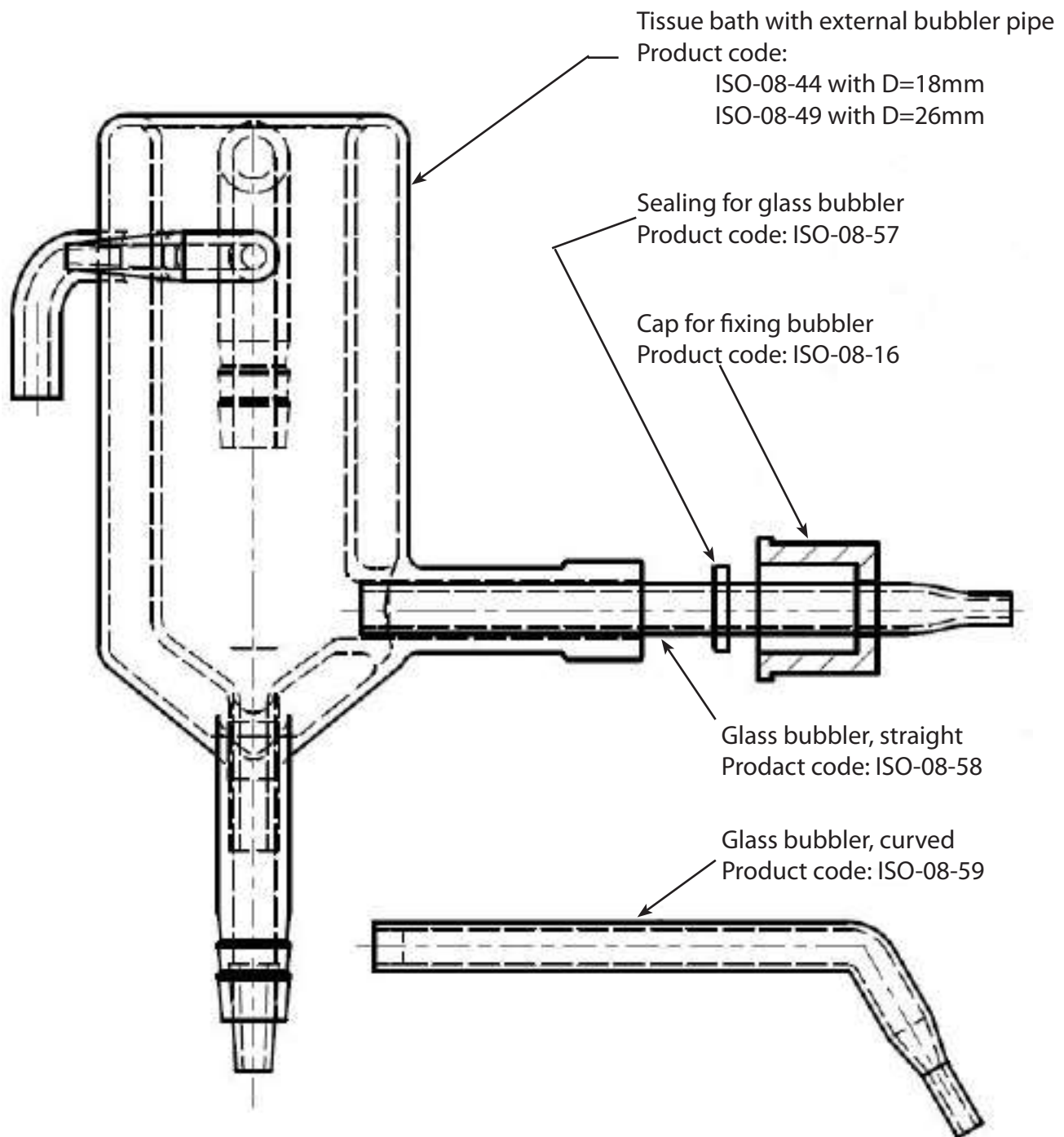
ISO-07-10 is the bubbler of the diaphragm tissue holder (**ISO-07-09**).

Material of pipe: Stainless steel

Material of vaporiser: glass

Other material: PMMA

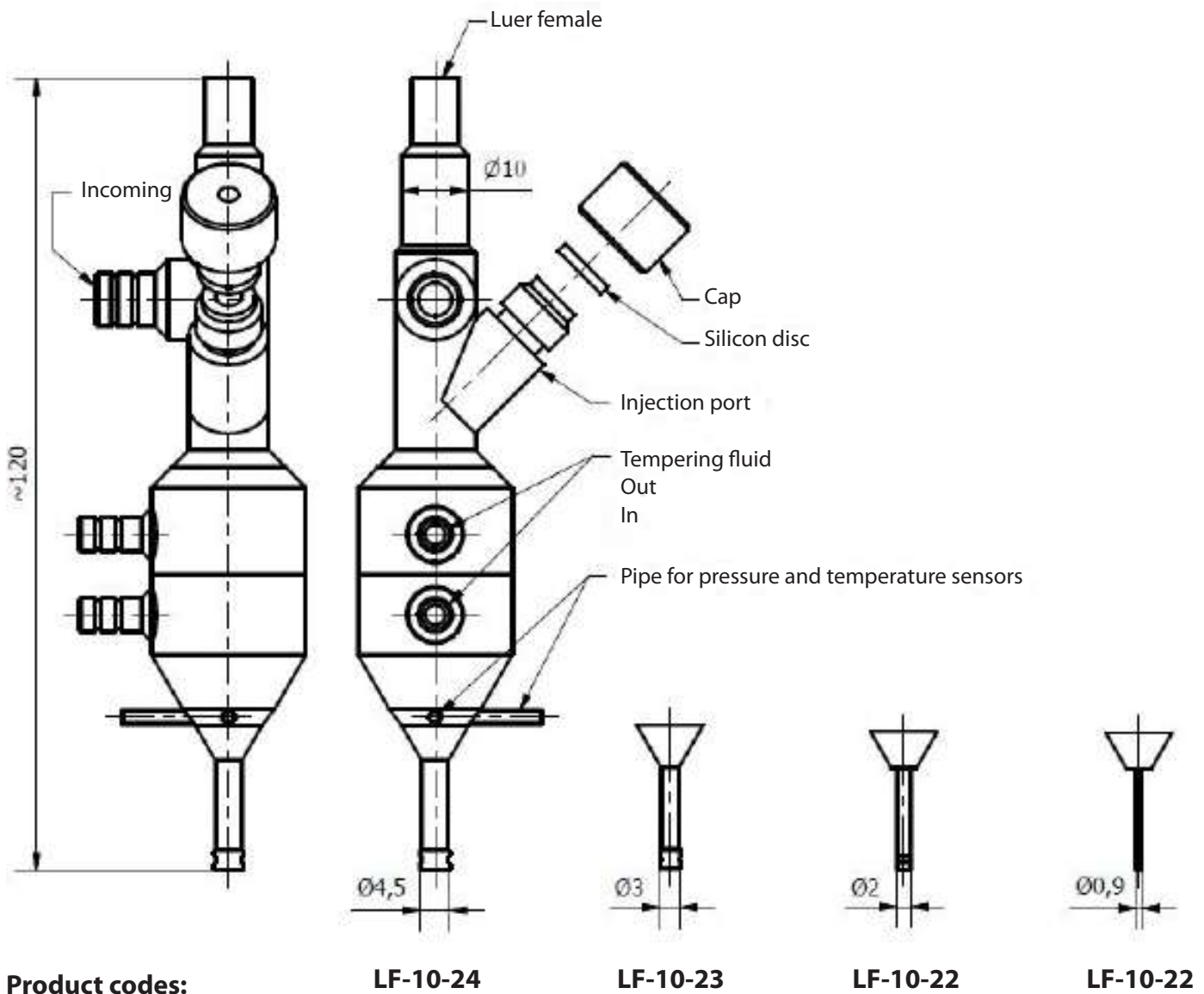
Bubbler for tissue holders



Heart suspensor

for MDE LF-11, LF-12, LF-15, LF-16
Langendorff systems

Material of suspensor part: Stainless steel
 Material of flow in part: PMMA
 Material of the warm section: Polyamid
 (Dimension: see drawings)



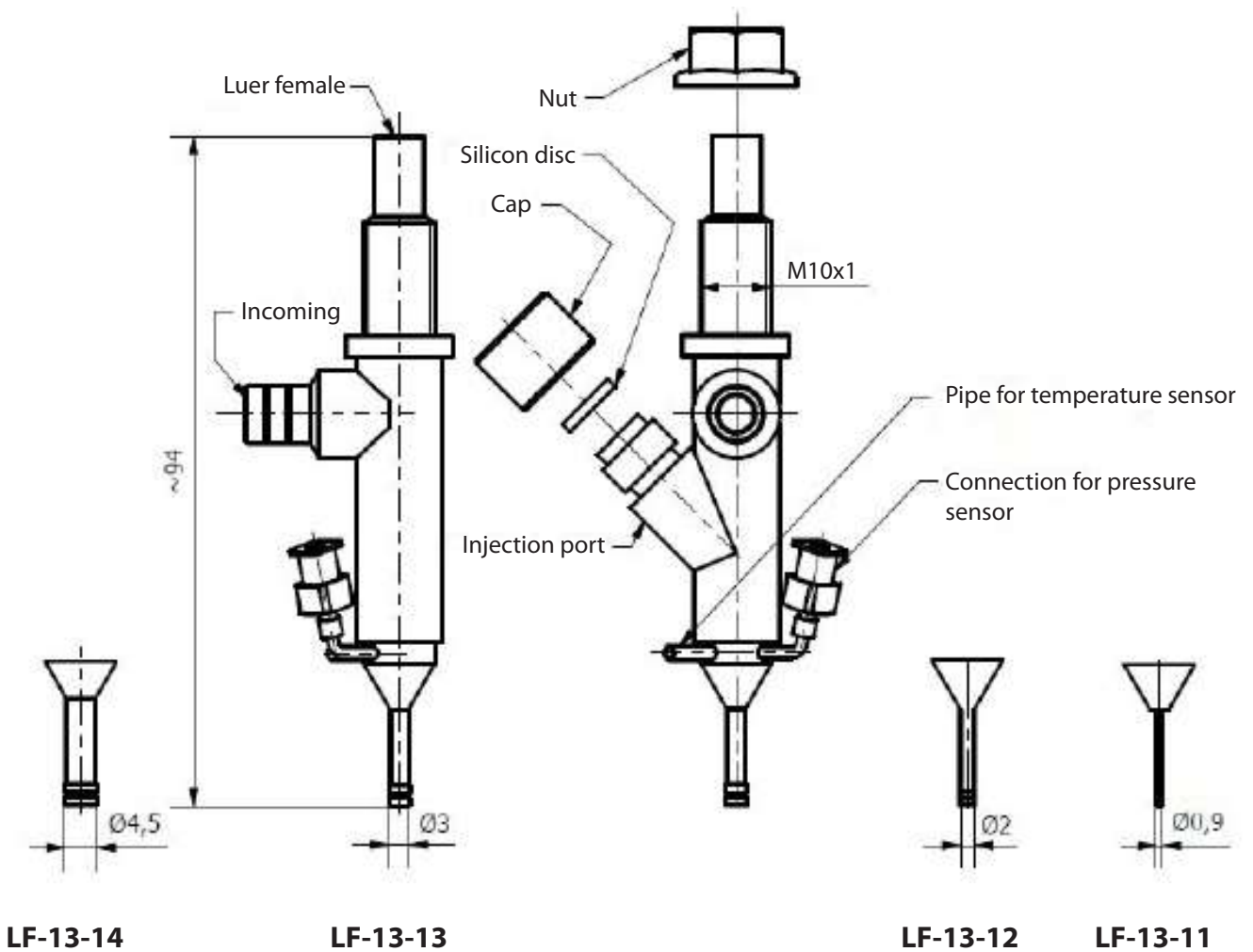
Heart suspensor

for **MDE LF-13**
Langendorff systems

Material of suspensor part: Stainless steel

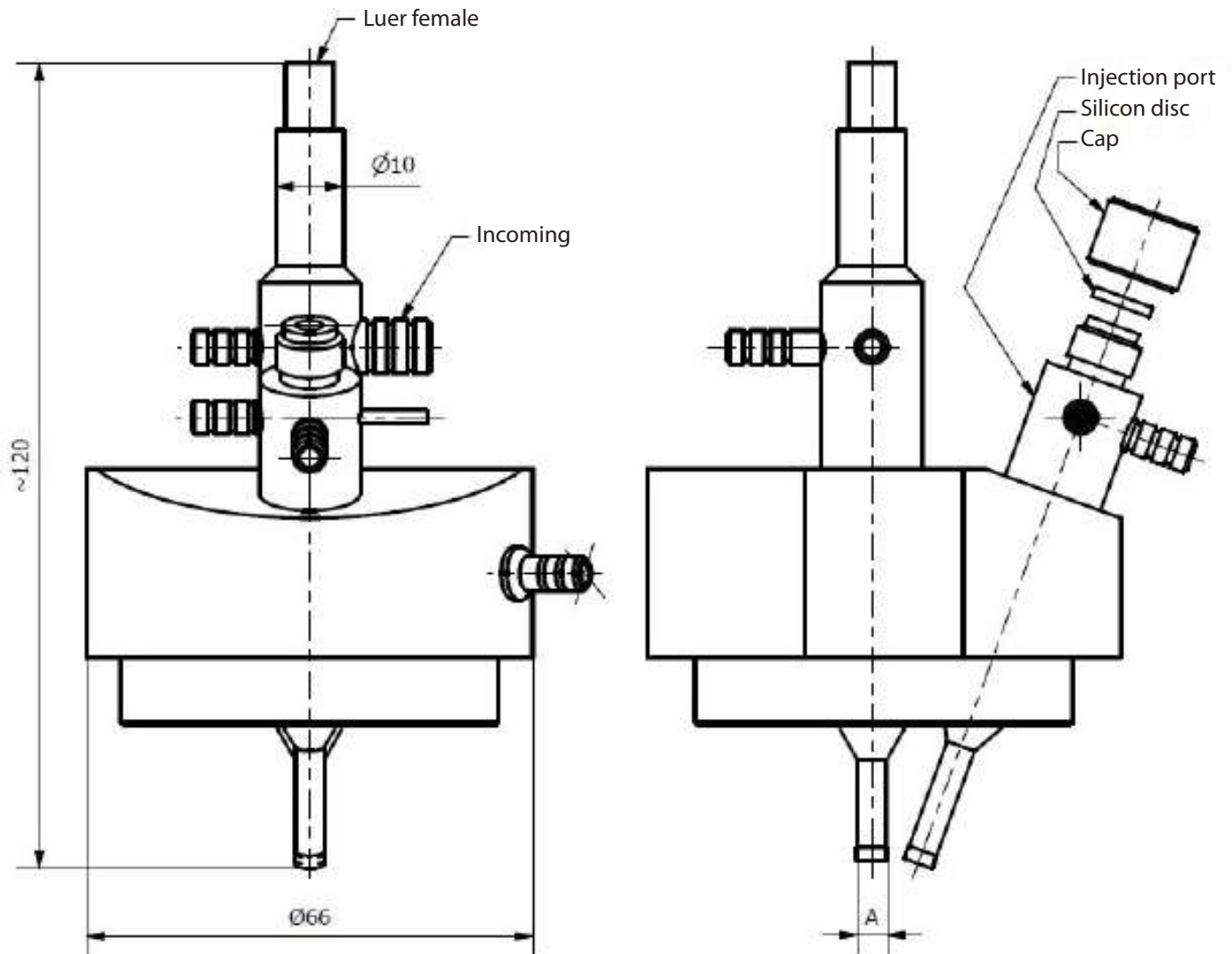
Material of the body: PMMA

(Dimension: see drawings)



Heart suspensor

for **MDE** LF-21, LF-22, LF-25, LF-26
Neely Langendorff systems



Product codes:

Cannula size:

A=4,5mm **LF-21-24**

A=3,0mm **LF-21-23**

A=2,0mm **LF-21-22**

Material of the suspensor part: Stainless steel
Material of the body: PMMA
Material of the warm section: Polyamid
(Dimension: see drawings)

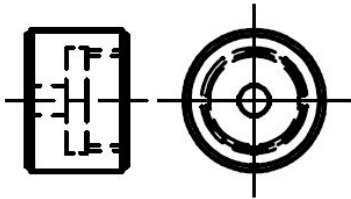
Spare parts for heart suspensors

The heart suspensor product code contains:

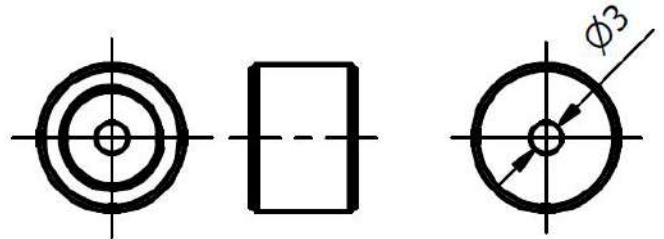
- 1 pc heart suspensor, what the customer earlier choosed.
- 5 pcs silicone disc (LF-10-40) for injection port
- exhaust set:
 - 1 pc Luer/Luer adaptor
 - 1 pc three way cock
 - 0,6m $\text{Ø}3/\text{Ø}6$ -os silicone pipe

Product codes:

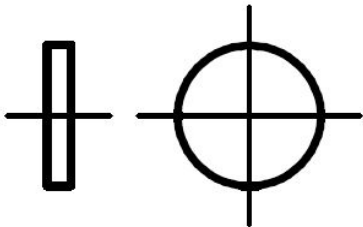
Cap for injection port
Material: PMMA
LF-10-41 (1pc)



Cap for injection port
Material: Stainless steel
LF-10-42 (1pc)



Silicon disc for injection port
Material: soft silicon
LF-10-40 (5 pcs)



Nut for LF-13 family heart suspensor
Material: stainless steel
LF-13-19 (1 pc)

